

tico 734



MODEL OVERVIEW

Preset Counter (0 734 007)

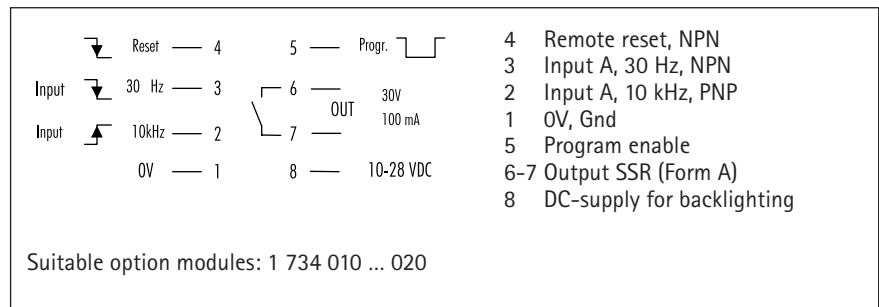
7 digit, programmable for up or down counting, SSR relay output, preset lock function, reset key can be enabled/disabled

Flexible Counter Series in DIN size 36 x 72 mm

- LCD display, 8 digits, 12 mm height, excellent contrast through
- Backlighting with a 10-28 VDC supply
- Lithium battery power supply
- Decimal point, input scaling, count direction, output mode, etc. programmable, depending on model
- Programming reduced to a minimum for easy handling and set-up
- CE approval, IP 65, NEMA 4
- Suitable for TTL
- Mounting depth 29 mm

The family **tico 734** consists of ten models:

- 0 734 000 Totalizer without scaling
- 0 734 001 Add/Subtract totalizer
- 0 734 002 Position indicator
- 0 734 003 Tachometer
- 0 734 004 Programmable rate meter
- 0 734 005 Rate meter with totalizer
- 0 734 006 Time counter
- 0 734 007 Preset counter
- 0 734 008 Time preset counter
- 0 734 009 Rate meter 005; with total and pulsed output

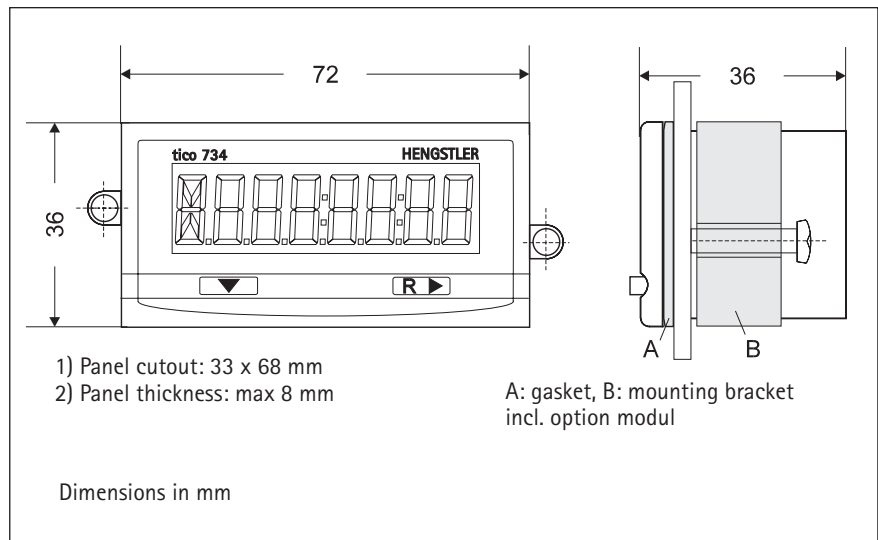


Technical data

tico 734

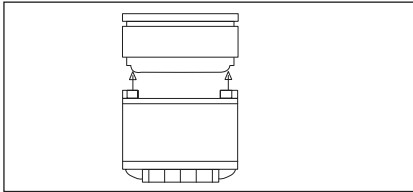
Power Supply	Internal	Single or dual lithium 3 V battery (CR 1/2 AA), typical life time of 5 years (10 yrs w/2 batteries). „Lo BAT" display flashes approximately 2 weeks prior to end of battery life.
	via Option Module	120/240 VAC provides 12 VDC for display backlighting
Display	Display	LCD, 12 mm height, 8 digits
	Backlighting	Whole display area can be backlit with a 10-28 VDC supply, green-yellow colour
Count Inputs	High Speed Input (2)	PNP, ≤ 28 VDC, max. 10 kHz (50 % duty cycle), Low < 1.0 V, High > 2.0 V, impulse $> 45 \mu\text{s}$, impedance $1 \text{ M}\Omega$
	Low Speed Input (3)	NPN, ≤ 28 VDC, max. 30 Hz (50 % duty cycle), Low < 1.0 V, High > 2.0 V, impedance $1 \text{ M}\Omega$
	High Voltage Option Module	100..260 VAC/DC, 30 Hz, $1 \text{ M}\Omega$, with internal connection to input (3)
	Low Voltage Option Module	5...30 VAC/DC, 30 Hz, $17 \text{ k}\Omega$, with internal connection to input (3)
	Control Inputs	Enable Input (5)
Output	Reset Input (4)	NPN, ≤ 28 VDC, edge triggered, max. 30 Hz (50 % duty cycle)
	SSR Relay	Photo mos relay, 0.1 A, 30 VAC/DC, reaction time < 5 ms
Physical	Relay Option Module	Changeover contact 5 A, 120/240 VAC or 30 VDC
	Mounting	Front panel mounting with mounting bracket
	Dimensions	DIN 36 x 72 mm, 36 mm total depth, total width 83 mm
	Panel Cutout	$33^{+0,3} \text{ mm} \times 68^{+0,3} \text{ mm}$, depth behind panel < 29 mm
	Panel Thickness	max. 8 mm
Environmental	Front Panel Rating	IP 65
	Operating and Storage Temperature	$0 \text{ }^\circ\text{C}$ to $+ 55 \text{ }^\circ\text{C}$ $- 20 \text{ }^\circ\text{C}$ to $+ 60 \text{ }^\circ\text{C}$
	General	DIN EN 61010 part 1 / VDE 0411 part 1 Protection according to class II, Contamination level 2 Overvoltage category II

DIMENSIONS



tico 734

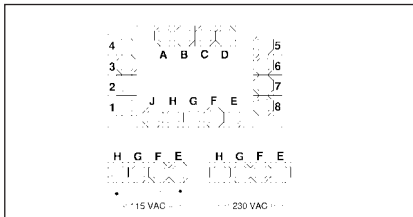
OPTION MODULES



FUNCTIONS OVERVIEW

TECHNICAL DATA

WIRING



ORDERING INFORMATION

Technical data

With the Option Modules, the **tico 734** can be functionally extended and adapted to special application conditions. The following option functions are available:

- AC power supply providing sensor supply 10-20 VDC / 50 mA and 12 V supply for display backlighting (supports the battery in models with SSR output)
- Relay output, changeover contact, 5 A, 120/240 VAC or 30 VDC
- High voltage input (100..260 VAC/DC, max. 30 Hz, 200 KΩ)

1734...

	Connections	010	011	012	013	014	015	016	017	018	019	020
High Voltage Input	C-D		x		x	x		x				
Relay 1 x change over	A-B-J		x		x		x	x		x		x
AC power Supply	E-F, G-H			x		x	x	x			x	x
Low Voltage Input	C-D								x	x	x	x

Power Supply (E-H)	115 VAC or 230 VAC (see wiring), frequency 50/60 Hz. Terminal (8) provides an unregulated 10-20 VDC supply for powering sensors up to 50 mA
Relay Output (A-B-J)	Type: SPDT (Form C) mechanical relay; Operate Time: 6 ms 5A, 120/240 VAC or 30 VDC, silver alloy Electrical Life: > 500000 operations, Mechanical Life: > 10 million operations
High Voltage Input (C-D)	Voltage Range: 100 to 260 VAC or VDC Count Speed: max. 30 Hz. (duty cycle 50 %) Minimum Pulse Width: 12 ms; Impedance: 200 kOhm
Low Voltage Input (C-D)	Voltage Range: 5 to 30 VAC or VDC Count Speed: max. 30 Hz. (duty cycle 50 %) Minimum Pulse Width: 12 ms; Impedance: 127 kOhm
Mounting	Attaching on back of instrument
Dimensions	42 x 69 mm, depth 58 mm, total depth behind panel with instrument 82 mm
Temperature	Operating: -0° C to +50° C; Storage -20° C to +60° C;
General	DIN EN 61010 part 1, Protection according to class II Contamination level 2; Overvoltage category II

All modules contain 17 terminals. The exact functions that are present are determined by the model of instrument and option module (see Functions Overview).

1-8 Connection to instrument (refer to appropriate operating instructions)

- A Normally Open Relay Contact
- B Relay Common
- J Normally Closed Relay Contact
- C-D High or Low Voltage Input, no polarity, (provides NPN signal on terminal 3)
- E-F 115 VAC Line winding I
- G-H 115 VAC Line winding II

Panel Instruments		Option Modules	
Totalizer	0 734 000	HV Input	1 734 010
Add/Subtract Totalizer	0 734 001	Relay	1 734 011
Position Indicator	0 734 002	AC Power	1 734 012
Tachometer	0 734 003	HV Input and Relay	1 734 013
Programmable Rate Meter	0 734 004	HV Input and Power	1 734 014
Rate Meter with Totalizer	0 734 005	Power and Relay	1 734 015
Elapsed Time Indicator	0 734 006	HV Input/Power/Relay	1 734 016
Preset Counter	0 734 007	LV Input	1 734 017
Preset Timer	0 734 008	LV Input and Relay	1 734 018
Rate Meter with Total and Pulsed Output	0 734 009	LV Input and Power	1 734 019
Lithiumbattery	E3533 355	LV Input/Power/Relay	1 734 020