

Flexible Counter Series in DIN size 36 x 72 mm

tico 734



MODEL OVERVIEW

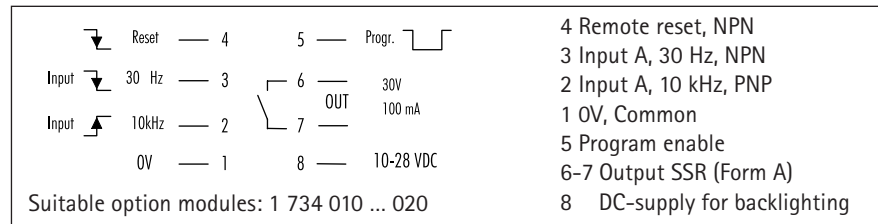
- LCD display, 8 digits, 12 mm height, excellent contrast through
- Backlighting with a 10-28 VDC supply
- Lithium battery power supply
- Decimal point, input scaling, count direction, output mode, etc. programmable, depending on model
- Programming reduced to a minimum for easy handling and set-up
- CE approval, IP 65, NEMA 4
- Suitable for TTL
- Mounting depth 29 mm

The family **tico 734** consists of ten models:

- 0 734 000 Totalizer without scaling
- 0 734 001 Add/Subtract totalizer
- 0 734 002 Position indicator
- 0 734 003 Tachometer
- 0 734 004 Programmable rate meter
- 0 734 005 Rate meter with totalizer
- 0 734 006 Time counter
- 0 734 007 Preset counter
- 0 734 008 Time preset counter
- 0 734 009 Rate meter 005; with total and pulsed output

Rate Meter with Total and Pulsed Output (0 734 009)

As above, additionally with SSR pulsed output with programmable 0.0001 to 0.9999 reducing factor, reset key can be enabled/disabled



tico 734

Technical data

Power Supply

Internal	Single or dual lithium 3 V battery (CR 1/2 AA), typical life time of 5 years (10 yrs w/2 batteries). „Lo BAT“ display flashes approximately 2 weeks prior to end of battery life.
via Option Module	120/240 VAC provides 12 VDC for display backlighting and reduces battery load in models with SSR output

Display

Display	LCD, 12 mm height, 8 digits for counters, 4 digits (plus dummy zero) for tacho and rate meters, 6 digits timer
Backlighting	Whole display area can be backlit with a 10-28 VDC supply, green-yellow colour

Count Inputs

High Speed Input (2)	PNP, ≤ 28 VDC, max. 10 kHz (50 % duty cycle), Low < 1.0 V, High > 2.0 V, impulse > 45 μ s, impedance 1 M Ω
Low Speed Input (3)	NPN, ≤ 28 VDC, max. 30 Hz (50 % duty cycle), Low < 1.0 V, High > 2.0 V, impedance 1 M Ω

Magnet- input	
High Voltage Option Module	100..260 VAC/DC, 30 Hz, 1 M Ω , with internal connection to input (3)
Low Voltage Option Module	5..30 VAC/DC, 30 Hz, 17 k Ω , with internal connection to input (3)

Control Inputs

Enable Input (5)	NPN, ≤ 28 VDC, level sensitive
Reset Input (4)	NPN, ≤ 28 VDC, edge triggered, max. 30 Hz (50 % duty cycle)

Output (only 009)

SSR Relay	Photomos relay, 0.1 A, 30 VAC/DC, reaction time < 5 ms
Relay Option Module	Changeover contact 5 A, 120/240 VAC or 30 VDC

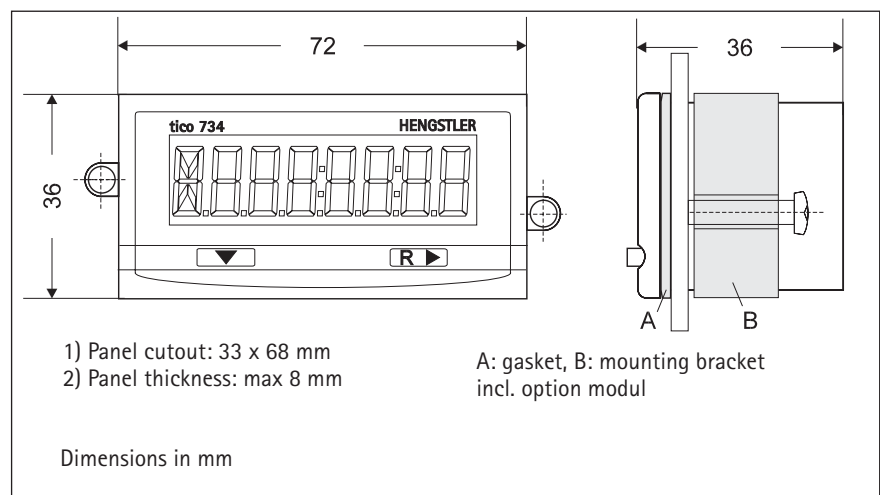
Physical

Mounting	Front panel mounting with mounting bracket
Dimensions	DIN 36 x 72 mm, 36 mm total depth, total width 83 mm
Panel Cutout	33 $^{+0.3}$ mm x 68 $^{+0.3}$ mm, depth behind panel < 29 mm
Panel Thickness	max. 8 mm

Environmental

Front Panel Rating	IP 65 / NEMA 4
Operating and Storage Temperature	0 °C to + 55 °C - 20 °C to + 60 °C
General	DIN EN 61010 part 1 / VDE 0411 part 1 Protection according to class II, Contamination level 2 Overvoltage category II

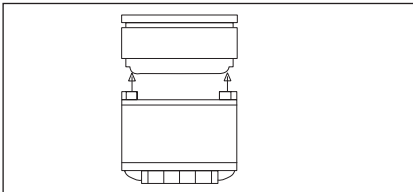
DIMENSIONS



Technical data

tico 734

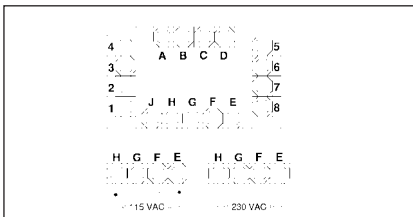
OPTION MODULES



FUNCTIONS OVERVIEW

TECHNICAL DATA

WIRING



ORDERING INFORMATION

With the Option Modules, the **tico 734** can be functionally extended and adapted to special application conditions. The following option functions are available:

- AC power supply providing sensor supply 10-20 VDC / 50 mA and 12 V supply for display backlighting (supports the battery in models with SSR output)
- Relay output, changeover contact, 5 A, 120/240 VAC or 30 VDC
- High voltage input (100..260 VAC/DC, max. 30 Hz, 200 KΩ)

1734 ...

	Connections	010	011	012	013	014	015	016	017	018	019	020
High Voltage Input	C-D		x		x	x		x				
Relay 1 x change over	A-B-J			x	x		x	x		x		x
AC power Supply	E-F, G-H			x		x	x				x	x
Low Voltage Input	C-D								x	x	x	x

Power Supply (E-H)	115 VAC or 230 VAC (see wiring), frequency 50/60 Hz. Terminal (8) provides an unregulated 10-20 VDC supply for powering sensors up to 50 mA
Relay	Type: SPDT (Form C) mechanical relay; Operate Time: 6 ms
Output (A-B-J)	5A, 120/240 VAC or 30 VDC, silver alloy Electrical Life: > 500 000 operations, Mechanical Life: > 10 million operations
High Voltage Input (C-D)	Voltage Range: 100 to 260 VAC or VDC Count Speed: max. 30 Hz. (duty cycle 50 %)
Low Voltage Input (C-D)	Voltage Range: 5 to 30 VAC or VDC Count Speed: max. 30 Hz. (duty cycle 50 %)
Input (C-D)	Minimum Pulse Width: 12 ms; Impedance: 200 kOhm
Input (C-D)	Minimum Pulse Width: 12 ms; Impedance: 17 kOhm
Mounting	Attaching on back of instrument
Dimensions	42 x 69 mm, depth 58 mm, total depth behind panel with instrument 82 mm
Temperature	Operating: -0° C to +50° C; Storage -20° C to +60° C;
General	DIN EN 61010 part 1, Protection according to class II Contamination level 2; Overvoltage category II

All modules contain 17 terminals. The exact functions that are present are determined by the model of instrument and option module (see Functions Overview).

1-8 Connection to instrument (refer to appropriate operating instructions)

A	Normally Open Relay Contact
B	Relay Common
J	Normally Closed Relay Contact
C-D	High or Low Voltage Input, no polarity, (provides NPN signal on terminal 3)
E-F	115 VAC Line winding I
G-H	115 VAC Line winding II

Panel Instruments

Totalizer	0 734 000
Add/Subtract Totalizer	0 734 001
Position Indicator	0 734 002
Tachometer	0 734 003
Programmable Rate Meter	0 734 004
Rate Meter with Totalizer	0 734 005
Elapsed Time Indicator	0 734 006
Preset Counter	0 734 007
Preset Timer	0 734 008
Rate Meter with Total and Pulsed Output	0 734 009
Lithiumbattery	E3533 355

Option Modules

HV Input	1 734 010
Relay	1 734 011
AC Power	1 734 012
HV Input and Relay	1 734 013
HV Input and Power	1 734 014
Power and Relay	1 734 015
HV Input/Power/Relay	1 734 016
LV Input	1 734 017
LV Input and Relay	1 734 018
LV Input and Power	1 734 019
LV Input/Power/Relay	1 734 020