

Flexible Counter Series, Dual tico 735

Colour Display in DIN size 48 x 96 mm

COUNTING - MEASURING - INDICATING - MONITORING - TRANSMITTING



FEATURES

Because of the unlimited number of measurements it can handle, the **tico 735** device family is equally well suited to applications in the world of impulse and time counting as to those in the processing area.

If you are looking for display clarity and high levels of accuracy, then the **tico 735** is the right choice for you. The dual-colour display is unique, highlighting an alarm situation or an excess value at a single glance. You can program your own choice of display colour to indicate normal or alarm conditions.

- Brilliant 18.5 mm high dual-colour red/green LED display with programmable colour settings
- As standard, all models have limit or preset values
- Scaling available as standard
- Universal Power Supply 90...264 V AC or 20...50 V AC/DC
- Simple structured operation with switchable help function

- External Program Lockout
- DIN housing 48 x 96 mm, mounting depth < 100 mm
- Conveniently sized Screw Terminals
- Large keys offer safety and ease of operation

- NPN and Relay Outputs
- Option: RS 485 ASCII protocol serial interface for all versions. "Remote Display" version receives process values over RS 485

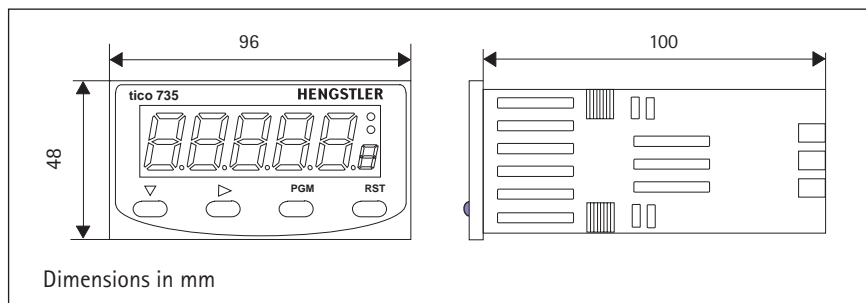
Totalizer

Input Modes, Features	Value Range
A+B, A-B, Direction, Quad	0...99999
Preset Value used for colour switching	0...99999

tico 735

Technical data

DIMENSIONS



Display and Keyboard

Primary Display	Red/Green, 7 segment LED, 5 digits, height 18.5 mm
Secondary Display	single digit 7 segment LED, height 7 mm, red/green
Output Indicators	2 red LEDs for OUT 1 and OUT 2 status
Keyboard	4 rubber keys for programming and manual reset

Physical

Front Dimensions	DIN 48 mm x 96 mm, 110 mm total depth
Mounting	Front panel mounting (mounting bracket supplied)
Panel Cutout	45 mm x 92 mm, panel thickness max 12 mm
Construction	Front carrier with PCBs can be pulled out
Terminals	Screw Type (combination head)

Operating conditions

Power Supply	90 - 264 V AC 50/60 Hz (electrically separated from all inputs and outputs) or 20...50 V AC / 22...55 V DC
Temperature	Operation: 0 °C to +55 °C (32 °F to 131 °F) Storage: -20 °C to +60 °C (-4 °F to 176 °F)
Relative Humidity	0 to 90 %, non-condensing

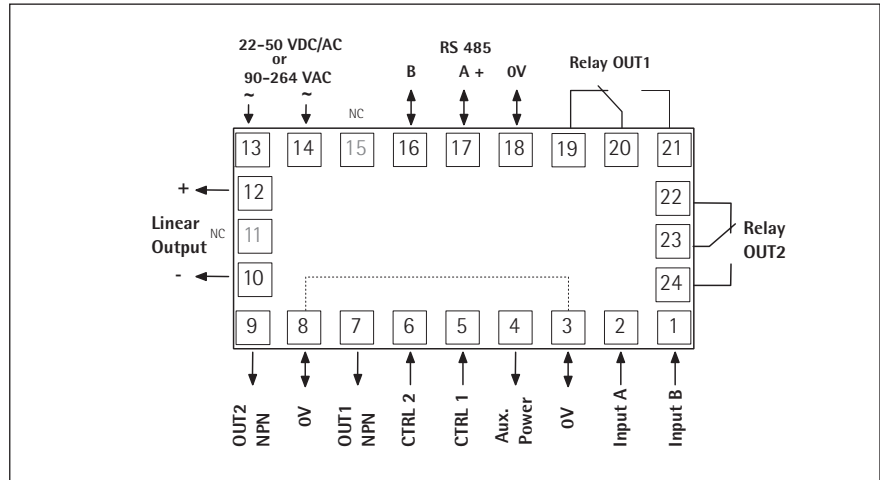
Approvals

Protection	Frontpanel IP 66
CE	EN 50082-1/92-95; EN 50081-1/92, -2/94
Safety	DIN EN 61010 part 1; protection according to class II
General	UL, CUL, Overvoltage cat. II, Contamination level 2

Option RS 485

Type	RS 485, serial asynchronous, Open ASCII, Master-Slave, up to 99 zones
Parameters	9600...1200 Bd, 1 start, 7 data, 1 stop, even parity

TERMINALS



Count Inputs

Active Edge	NPN or PNP programmable; capable of TTL; 30 V DC max
with PNP	High ≥ 3.0 V, Low < 2.0 V or open; 10 kOhm to 0 V
with NPN	High ≥ 3.0 V or open, Low < 2.0 V; 4.7 kOhm to V+
Frequency	20 Hz, 200 Hz or 10 kHz programmable

Control Inputs

CTRL1 (Reset or hold)	NPN; High ≥ 3.0 V or open, Low < 2.0 V; 4,7 kOhm to V+ edge sensitive; 25 ms min., max 30 V DC
CTRL 2 (Progr. security))	NPN; High ≥ 3.0 V or open, Low < 2.0 V; 4,7 kOhm to V+ level sensitive; 25 ms min.; max 30 V DC

Special Features

- Display colour programmable
- Preset Lockout and Reset Disable programmable
- Program Security via CTRL 2
- Scaling available as standard

ORDERING DATA

