

Economy Types



- Replacement for type RI 39
- Encoder for universal installation by means of front/back panel mounting
- High efficiency by means of ball bearing
- Small torque
- Application e.g.:
 - FHP motors
 - laboratory equipment
 - labelling machines
 - plotters
 - length measuring machines

NUMBER OF PULSES

5 / 10 / 20 / 25 / 28 / 32 / 50 / 60 / 72 / 100 / 128 / 144 / 200 / 250 / 256 / 288 / 300 / 360 / 400 / 500 / 512 / 600 / 720 / 900 / 1000 / 1024

Other number of pulses on request

TECHNICAL DATA
mechanical

Shaft diameter	6 mm
Absolute max. shaft load	radial 10 N, axial 5 N
Absolute max. speed	10000 min ⁻¹
Torque	≤ 0.2 Ncm
Protection class (EN 60529)	Housing IP 50, bearings IP 40
Operating temperature	-10 ... +60 °C
Storage temperature	-25 ... +85 °C
Vibration resistance	100 m/s ² (10 ... 2000 Hz)
Shock resistance	1000 m/s ² (6 ms)
Connection	1.5 m cable, radial ¹
Housing	glassfibre reinforced plastic
Flange	Q = Square flange
Weight	approx. 60 g

¹ Other cable length on request

TECHNICAL DATA
electrical

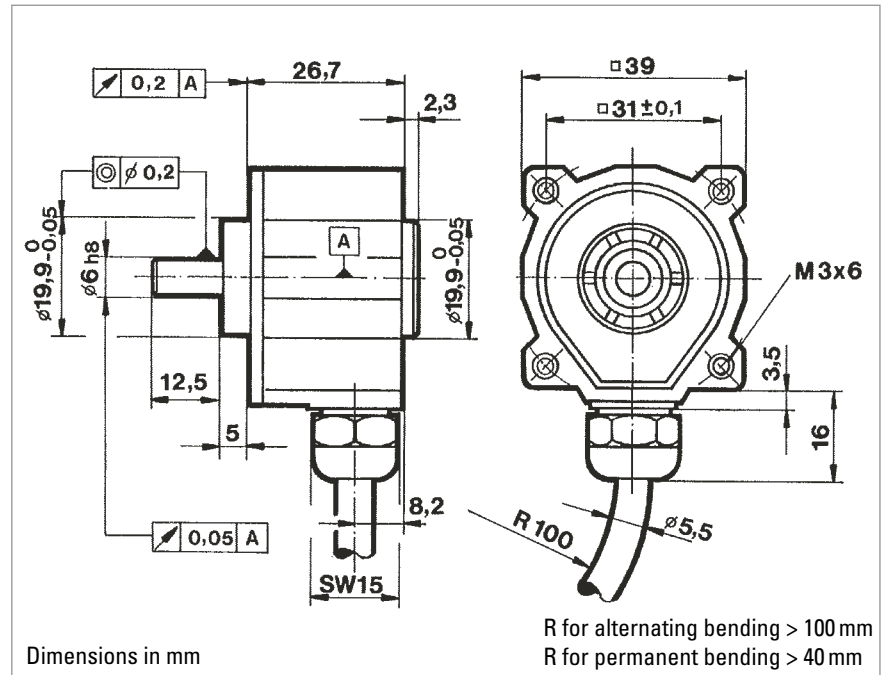
General design	as per DIN VDE 0160, protection class III, contamination level 2, over voltage class II	
Supply voltage (SELV)	with push-pull (D):	DC 5 V ± 10 %
	with push-pull (K):	DC 5 V ¹ ± 10 % oder DC 10 - 30 V ¹
Max. current w/o load	40 mA (DC 5 V), 60 mA (DC 10 V), 30 mA (DC 24 V)	
Standard output versions ²	push-pull (K, D):	A, B, N, \overline{A} larm

¹ Pole protection

² Output description and technical data see chapter "Technical basics"

Economy Types

DIMENSIONAL DRAWINGS



PIN ASSIGNMENT

Description (push-pull)	Lead Ø mm ²	Colour
DC 5 V/10 - 30 V	0.5	red
Channel A	0.14	white
Channel B	0.14	green
Channel N	0.14	yellow
GND	0.5	black
Alarm	0.14	yellow/black

ORDERING INFORMATION

Type	Model	Number of pulses	Supply voltage	Flange, Protection, Shaft	Output	Connection
<input type="checkbox"/>	<input type="checkbox"/>	<input type="text"/>	<input type="checkbox"/>	<input type="text"/>	<input type="checkbox"/>	<input type="checkbox"/>
RI38-	0 Standard	5 ... 1 024	A DC 5 V E DC 10 - 30 V ¹	Q.16 Square, IP40, 6 mm	K push-pull ² short circuit proof D push-pull 5 V, ±30 mA	B Cable radial

¹ only with output K
² ±10 mA at 5 V, ±30 mA at 10 - 30 V