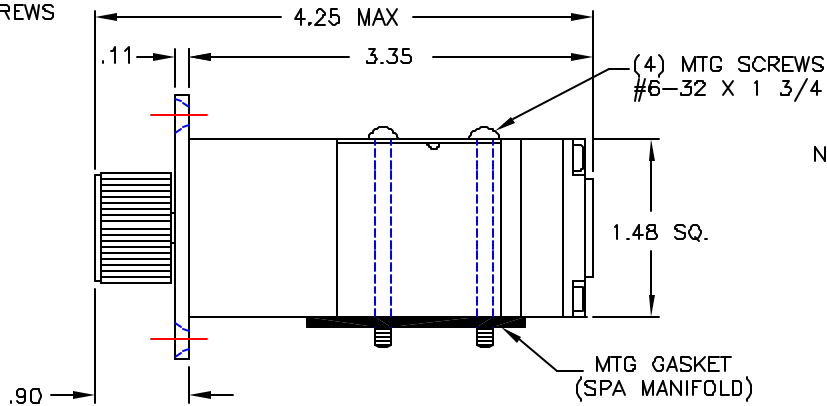
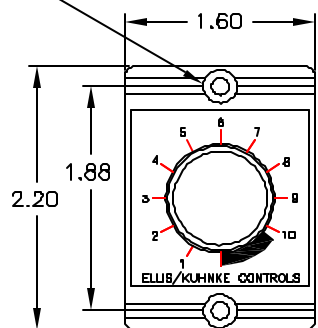
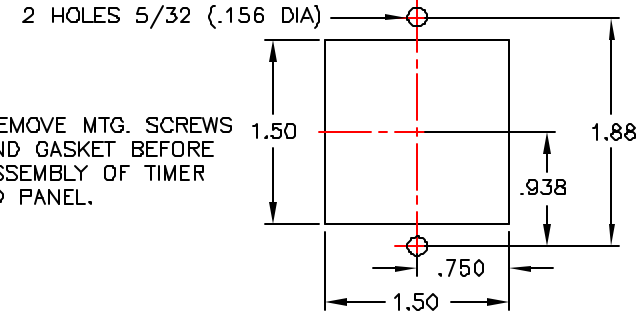


2 MTG. HOLES (.140 DIA.) FOR #6 FLAT HEAD MACHINE SCREWS

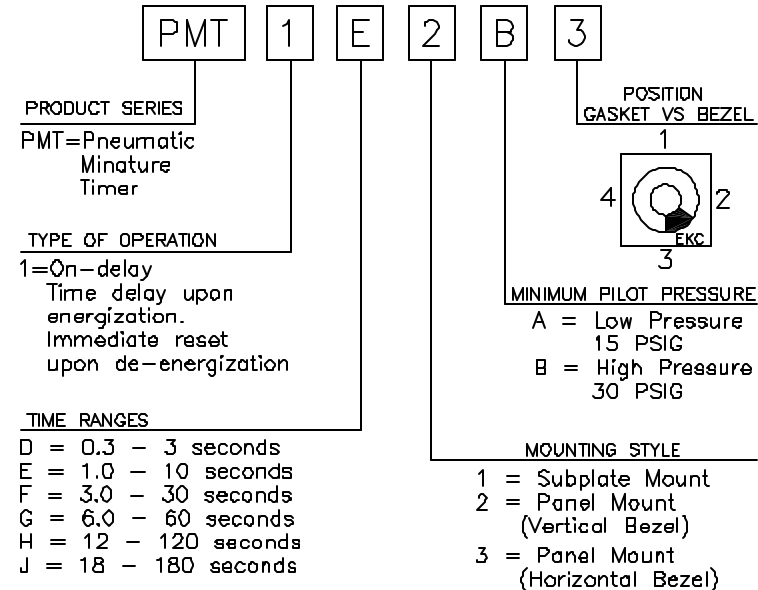


RECOMMENDED PANEL CUTOUT



NOTE: REMOVE MTG. SCREWS AND GASKET BEFORE ASSEMBLY OF TIMER TO PANEL.

HOW TO ORDER:



The PMT Series Pneumatic Timer is made to be used with most standard spool type (spring return-detented) valves of all leading brands of air logic. This timer has a logic output and is designed to operate the control pilot of the receiving valve. The timer is shipped as shown above with mounting screws and gasket. A subplate manifold (enables unit to be supplied with 10-32 or 1/8 NPT porting) is available but must be ordered separately.

TECHNICAL SPECIFICATIONS:

OPERATING PRESSURE:
 15 - 100 PSI

CONNECTIONS:
 10-32 or 1/8 NPTF ports via subplate (must be ordered separately)

CONTROL PRESSURE:
 (A) Low Pressure 15 to 100 PSI
 (B) High Pressure 30 to 100 PSI

MEDIA:
 Filtered Air or non-aggressive gas, non-lubricated.

TIMING VALVE:
 CV - .005
 Flow at 50 PSI - .1 CFM

TIMING START:
 Continuous application of pilot pressure to control port.

RESET:
 Immediately resets upon removal of pilot pressure independent of whether the time interval has elapsed or not.

RESET:
 60 ms at 50 PSI

REPEATABILITY:
 ± 3%

TIME SETTING:
 Via adjustment knob.
 Accuracy ± 10%

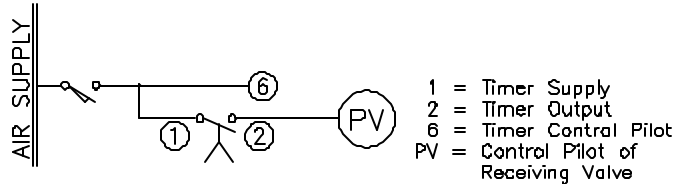
OPERATION:
 On-delay Time Delay upon energization.
 Application of air to control (pilot) port.

AIR CONSUMPTION:
 .1 CFM at 100 PSI

MATERIALS:
 Acetal and Polycarbonate enclosure,
 Diaphragms are Buna N.

OPERATING AMBIENT:
 0°C to 56°C (32°F to 150°F)

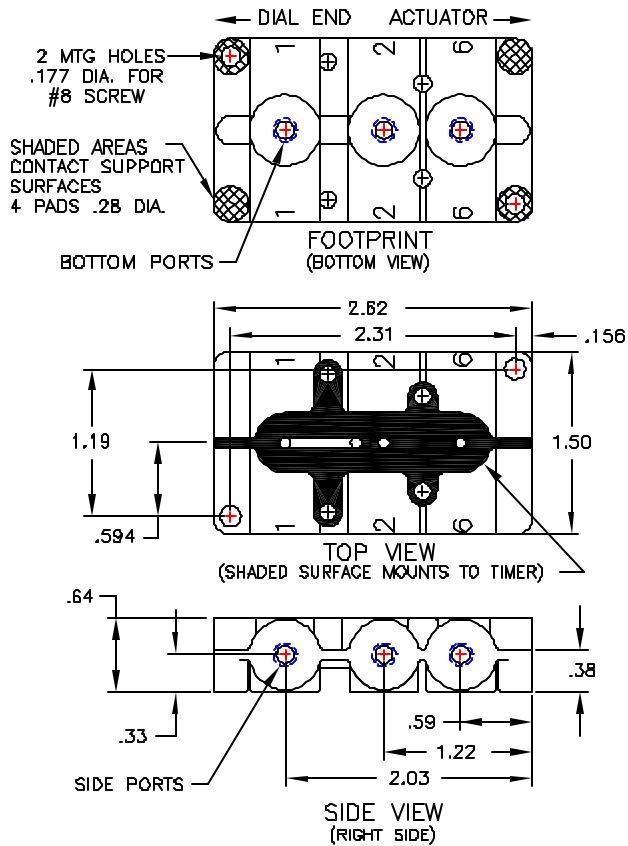
TYPICAL CIRCUIT:



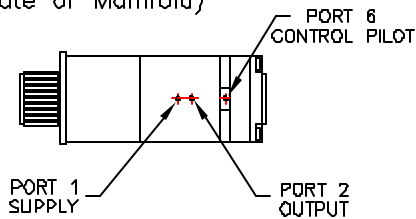
ELLIS/KUHNKE CONTROLS

DRAWN BY	EJL	7/26/00	PANELMOUNT-VERTICAL BEZEL PMT SERIES TIMERS		
CHECKED			SIZE	FSCW NCL	DWG. NCL
ISSUED			B		STYLE 2
					SHEET 1 OF 2

(OPTIONAL) SPA SERIES SUBPLATE-MANIFOLD



TIMER PORT LOCATIONS: (W/O Subplate or Manifold)



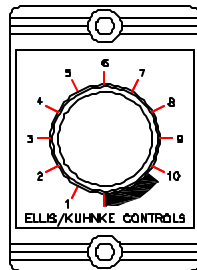
HOW TO ORDER:

SPA 1 C

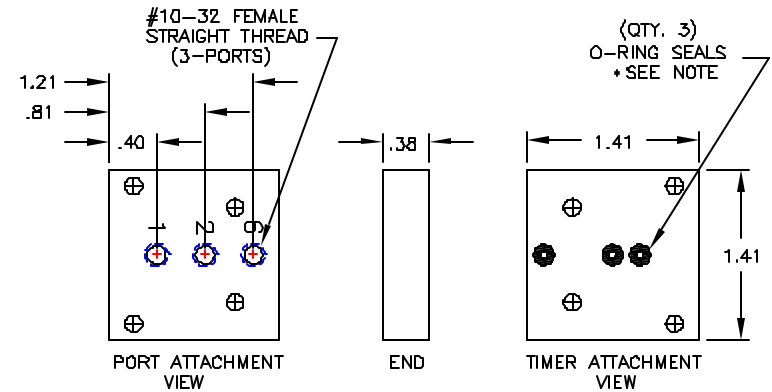
PRODUCT IDENTIFIER
 SPA = PMT Subplate
 Subplate
 Pneumatic
 Accessory

PORT TAPPING
 1 = #10-32 Female
 Straight Thread
 2 = 1/8" NPTF Female
 Pipe Thread

PORT LOCATIONS & NO. OF CONNECTIONS
 A = 3 bottom ports only
 B = 6 side ports only
 C = 6 side ports and 3 bottom ports

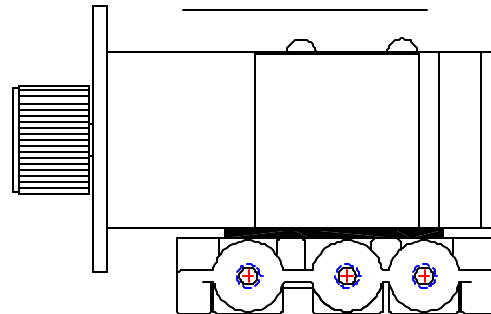


(OPTIONAL) MFD1A MANIFOLD

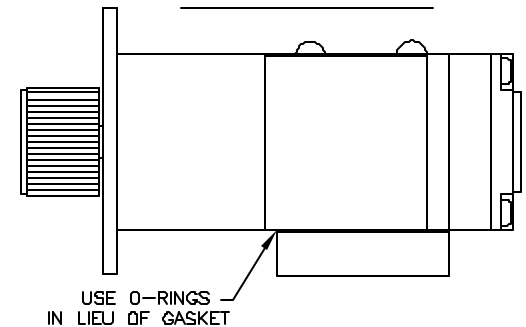


*NOTE: DISCARD SUBPLATE GASKET THAT IS SUPPLIED WITH TIMER WHEN USING THIS MANIFOLD. THE O-RING SEALS PROVIDED WITH MANIFOLD ARE TO BE USED IN LIEU OF THAT GASKET.

TIMER & SPA1C



TIMER & MFD1A



ELLIS/KUHNKE CONTROLS

DRAWN BY	EJL	3/1/00	PANELMOUNT-VERTICAL BEZEL PMT SERIES TIMERS	
CHECKED			SIZE	B
ISSUED			FSCM NO.	DWG. NO.
			STYLE 2	
			SHEET 2 OF 2	